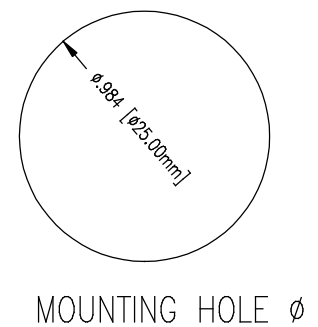
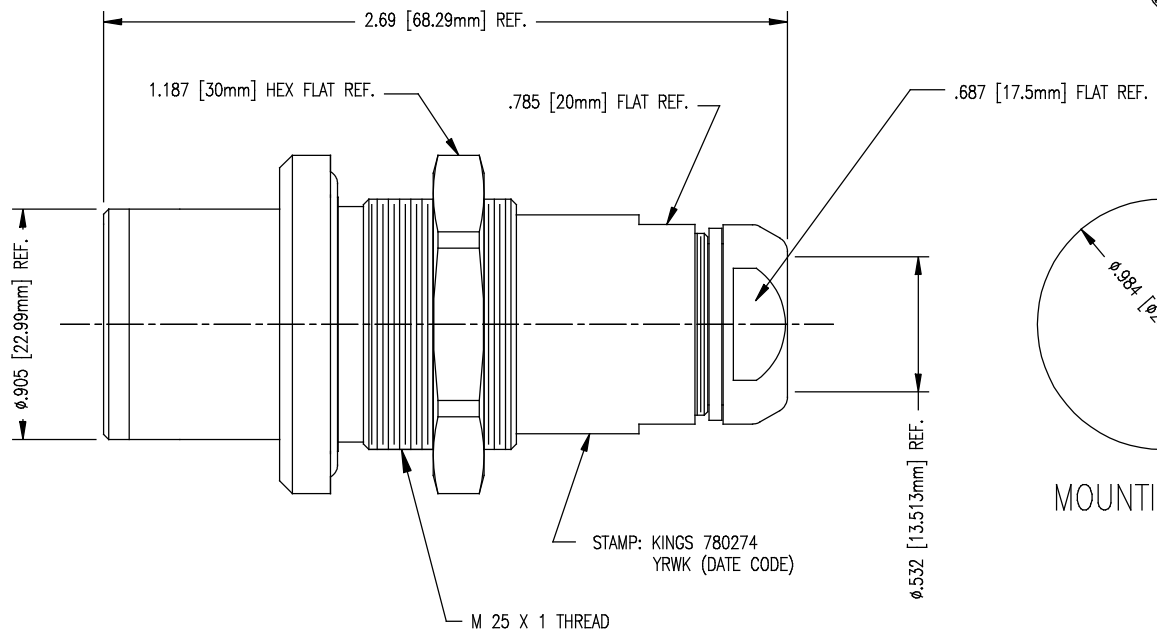


DASH NO.	M CODE	MADE FROM
----------	--------	-----------

GSD



780274

REVISIONS	
ISSUE	CHANGES
0	ER 39851 HVN 03/21/07

NOTES:

- FOR USE WITH 74 CABLE GROUP (BELDEN 9232).
- INTERFACE PER KINGS STANDARD ES-52, FIGURE 2.
- FOR CABLING INSTRUCTIONS SEE 3-651 (CONVENTIONAL METHOD) OR 3-711 (PRE-PREPARED DIMENSIONS).
- USE CRIMPING TOOL KTH-8000 AND DIE KTH-8002.
- MATERIALS:
 - INSULATORS: TEFLON, ASTM-D-4894
 - GASKETS: SILICONE RUBBER, A-A-59588; O-RINGS: SYNTHETIC RUBBER PER AMS-P-25732
 - SPACER: DELRIN
 - K-GRIP SLEEVES: COM BRONZE, ASTM-B140
 - OUTER GROUND CONTACT & ENTRY BODY: BER. COPPER, ASTM-B196
 - CENTER CONTACT: BER. COPPER, ASTM-B196
 - ALL OTHER METAL PARTS: BRASS, ASTM-B16
- FINISHES:
 - CENTER AND OUTER CONTACT: HARD GOLD PLATE, PER ASTM-B488
 - ALL OTHER METAL PARTS: KINGS TARNISH RESISTANT NICKEL FINISH (TR-5)
- ELECTRICAL CHARACTERISTICS:
 - NOMINAL IMPEDANCE: 75 OHMS
 - FREQUENCY RANGE: DC-3.0 GHz
 - VOLTAGE BREAKDOWN: CENTER CONDUCTOR/INNER GROUND: 1500 VRMS
 - INNER GROUND/OUTER GROUND: 500 VRMS

780274 SD

SCALE 2 : 1	
APPROX SURFACE AREA	
USED ON	
REF:	
ITL, JACK, BKHD	
DRAWN HVN	DATE 03/21/07
DESIGN HVN	DATE 03/20/06
APPR.	DATE

KINGS
ELECTRONICS CO., INC.
ROCK HILL, SOUTH CAROLINA 29730

GSD

780274